

The Pro Spa 40™ Lift is a fully powered, ADA compliant\* lift designed especially for use with above ground spas and pools with wall heights of 20" up to 40".

The lift provides easy access at the push of a button and is constructed of low carbon stainless steel and protected with a durable white epoxy powder coated finish.

Field measurements are required.

**Features:**

- 400 Pound (181 kg) weight capacity
- ADA compliant for walls up to 37" high
- Clears walls up to 40" high, 14" thick
- Rechargeable battery operation with charger
- Submergible hand held remote
- Pull out leg rest
- Dual flip up arms
- Limited lifetime structural warranty
- Five year pro-rated electronics warranty

**Options:**

- *Upgrade Pack - Item #F-005SLBAP (must be purchased with lift) Includes extra battery, headrest, chest strap & cover*
- *Headrest - Item #F-422PLH (Can't retrofit)*
- *Chest strap - Item #F-423CS*
- *Wood deck anchor - Item #F-106SLWDP*
- *Protective cover - Item #F-445SLC*



*Clears walls up to 40" high!*



\*ADA Compliant only for walls heights up to 37" high

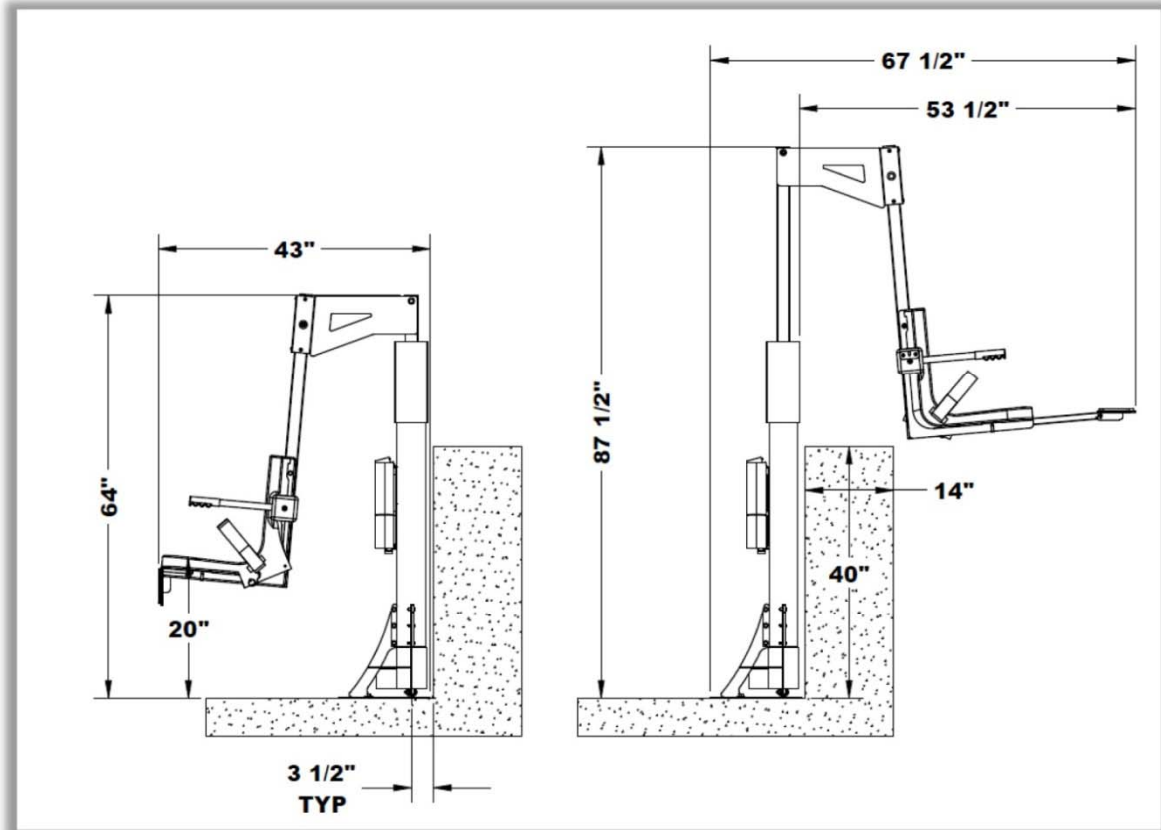
**PROUDLY SOLD BY:**



**SPAS  
& stuff**

[www.spasandstuff.com](http://www.spasandstuff.com)

## PRO SPA 40 LIFT DIMENSIONS & SPECIFICATIONS



[www.spasandstuff.com](http://www.spasandstuff.com)

### DIMENSIONS:

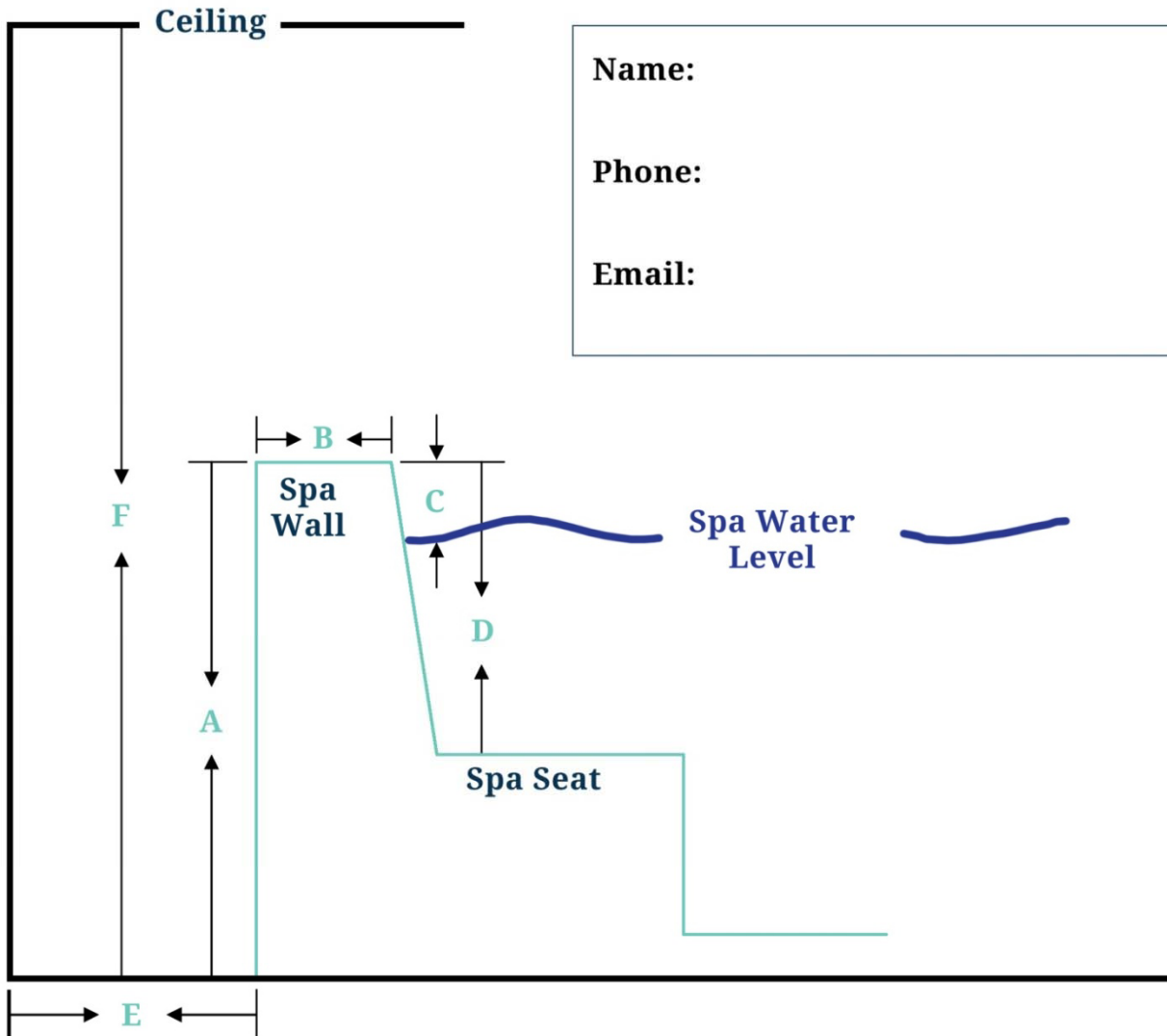
Extended Height:	87-1/2" (222cm)
Retracted Height:	64" (163cm) Minimum
Total footprint on deck:	48" (122cm) wide x 48" (122cm) long Minimum
Set back range:	Maximum 3-1/2" (9cm) to center of front anchors
Max wall height/width:	40" (102cm) / 14" (35cm)
Product weight:	140 Pounds (64kg)
Shipping weight:	265 Pounds (120kg)
Shipping Dimensions:	52"x40"x70" (132x102x178cm)
Shipping Method:	LTL Freight

### SPECIFICATIONS:

Frame:	Stainless Steel (type 304)
Finish:	White UV Stabilized epoxy power coat
Actuator:	24v Electric Linear Actuator
Power:	Rechargeable 24v battery (120v Charger included with lift)
Controls:	Waterproof push button
Chair & Footrest:	UV Stabilized Polyethethylene (LLDPE)
Weight capacity:	400 pounds (181kg)
Warranty:	5 year structural / 5 year pro-rated electronic

# Spa Profile Measure Guide

*The following measurements are required to manufacture your Pro Spa Lift. Please provide in inches.*



Name: \_\_\_\_\_

Phone: \_\_\_\_\_

Email: \_\_\_\_\_

A – Spa height above deck	A= <input type="text"/> Inches
B – Spa Wall Thickness	B= <input type="text"/> Inches
C – Spa Water Draft (From Top of Spa to Top of Water)	C= <input type="text"/> Inches
D – Seat Height of Spa Seat	D= <input type="text"/> Inches
E – Distance of Spa from Wall (If Applicable)	E= <input type="text"/> Inches
F – Ceiling Height (If Applicable)	F= <input type="text"/> Inches